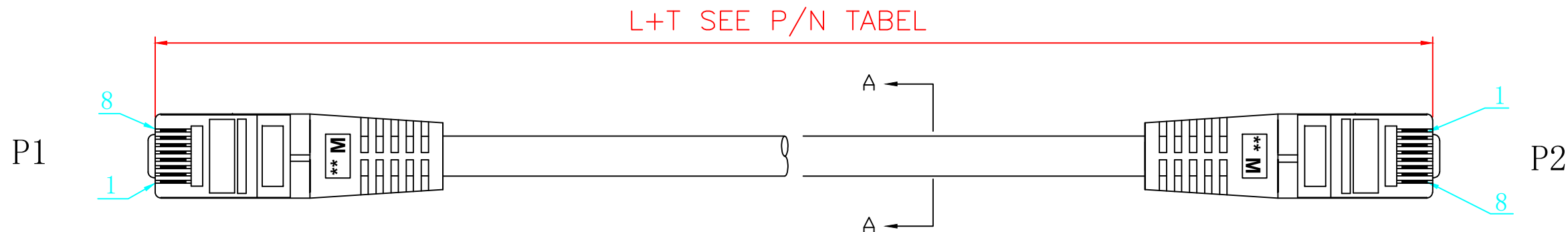
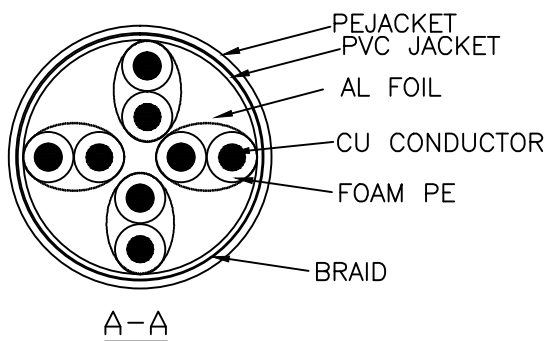
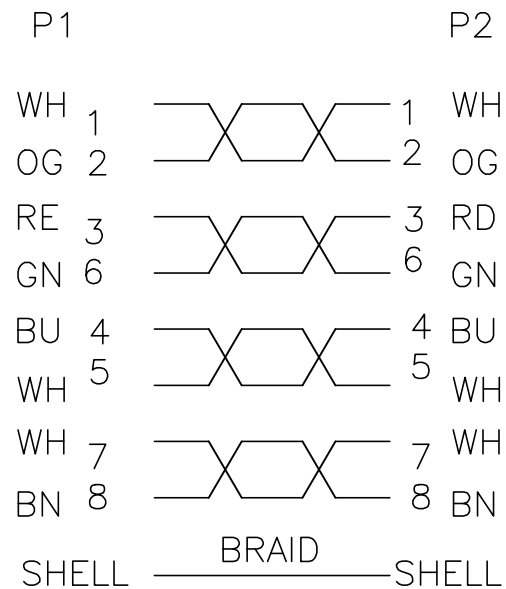


1	2	3	4	5	6	7	8		
RevNo	Revision note						Date	Signature	Checked



Pin out



P/N:

LENGTH	TOLERANCE
2M	±30MM
5M	±75MM
10M	±150MM
15M	±200MM
20M	±250MM
30M	±350MM

NOTES:

- 1:100% short,open and miss wire test.
- 2:CABLE MARKING:CAT6A SSTP (S/FTP) PE 500MHZ 4 PAIRS STRANDED AWG26 ROHS COMPLIANT
- 3:RoHS compliant.

③	OUTER MOLDED	75P PVC,THE COLOR ACCORDING TO CABLE COLOR	0.048	KG
②	CONNECTOR	SSTP CAT6A 8P8C TRANSPARENT PC HEAD, THE PIN FOR GOLD PLATED 3U",NICKEL-PLATED SHELL.	2	PCS
①	CABLE	<1P*26AWG+AL>*4C+B+PVC+PE CAT6A SSTP DD:6.5MM	L	M
NO.	MATERIAL	DESCRIPTION	QTY.	UNIT

Ltemref	Quantity	Title/Name,designation,material,dimension etc			Article No./Reference	
Designed by ACHY	Checked by NIKE	Approved by - date Mar 1,2017	File name SSTP CAT6A	Date Mar 1,2017	Scale FREE	
ANGLE:				SSTP CAT6A 568B-568B		
UNIT:MM				SSTP CAT6A	Edition 1	Sheet 1/1