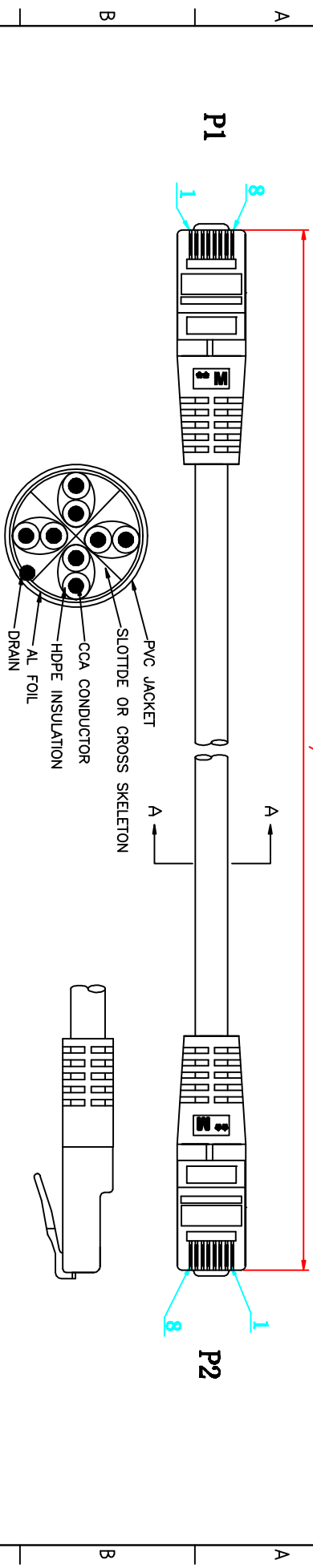
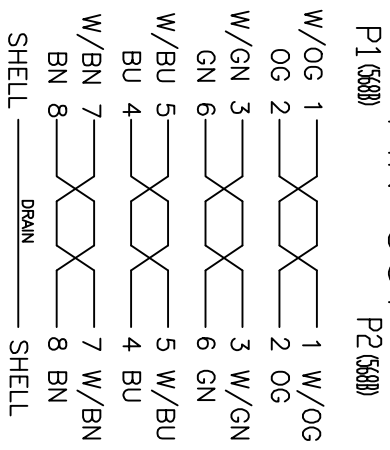


L+T SEE P/N TABEL



PIN OUT



NOTES:

- 1:100% short,open and miss wire test.
- 3:CABLE MARKING:4PAIRS 26AWG FTP CAT6 Verified For Gigabit Ethernet ROHS COMPLIANT
- 4:RoHS compliant.

LENGTH	TOLERANCE	GREY	WHITE	BLUE	YELLOW	BLACK	PINK	RED	GREEN	ORANGE	VIOLET
0.25M	±15MM	2015556	2015563	2012841	2015664	2015724	2015858	2012993	2015977	2015794	2016040
0.5M	±20MM	2012498	2015570	2012638	2013203	2014260	2015865	2013000	2013455	2013789	2014267
0.7M	±20MM	2012505	2015577	2012848	2015661	2015731	2015872	2015963	2015984	2015801	2016047
1M	±20MM	2012512	2012715	2012867	2012666	2013196	2015879	2013007	2013259	2013266	2013718
1.5M	±30MM	2012519	2015584	2012659	2012673	2015738	2015886	2013077	2014218	2015808	2016054
2M	±30MM	2012526	2013590	2012631	2012660	2012722	2015893	2013014	2012617	2012743	2013112
3M	±45MM	2012533	2013646	2012694	2012645	2012708	2015900	2012652	2012596	2013273	2013839
4M	±60MM	2014456	2015591	2015717	2015668	2015745	2015907	2015970	2015991	2015851	2016061
5M	±75MM	2012540	2015598	2012701	2012610	2013287	2015914	2013021	2013252	2013280	2016068
7M	±100MM	2012547	2015605	2012855	2015679	2015752	2015921	2013028	2015998	2013622	2016075
10M	±150MM	2012554	2015612	2012862	2012603	2013669	2013903	2013035	2013739	2013639	2016082
15M	±200MM	2012561	2015619	2012869	2015682	2015759	2015928	2013042	2016005	2015822	2016089
20M	±250MM	2012568	2015626	2012876	2015689	2015766	2015935	2013049	2016012	2015829	2016096
25M	±300MM	2012575	2015633	2012883	2015696	2015773	2015942	2013056	2016019	2015836	2016103
30M	±350MM	2012582	2015640	2012890	2015703	2015780	2015949	2013063	2016026	2015843	2016110
50M	±750MM	2012589	2015647	2012897	2015710	2015787	2015956	2013070	2016033	2015851	2016117

③	OUTER MOLDED	75A PVC.COLOR SEE P/N	0.048	KG	Lemref	Quantity	Title/Name,designation,material,dimension etc	Article No./Reference		
②	CONNECTOR	FTP CAT6 8P8C,TRANSPARENT,PIN GOLD PLATED,COPPER NICKEL SHELL	2	PCS	Designed by	Checked by	Approved by - date	File name	Date	Scale
①	CABLE	FTP CAT6,1P(7/0.16CCA)*4C+SLOTTE OR CROSSSKELETON+AL+DRAIN, JACKET:PVC,OD:6.0±0.3MM.	L	M	ACHY	HELEN	NOV 13,2014	FTP CAT6	NOV 13,2014	FREE
NO.	MATERIAL	DESCRIPTION	QTY. UNIT		ANGLE:	UNIT:MM		FTP CAT6 568B-568B		
					Edition		Sheet		1/1	

