

RevNo	Revision note	Date	Signature	Checked
-------	---------------	------	-----------	---------

NOTES:

ELECTRICAL:

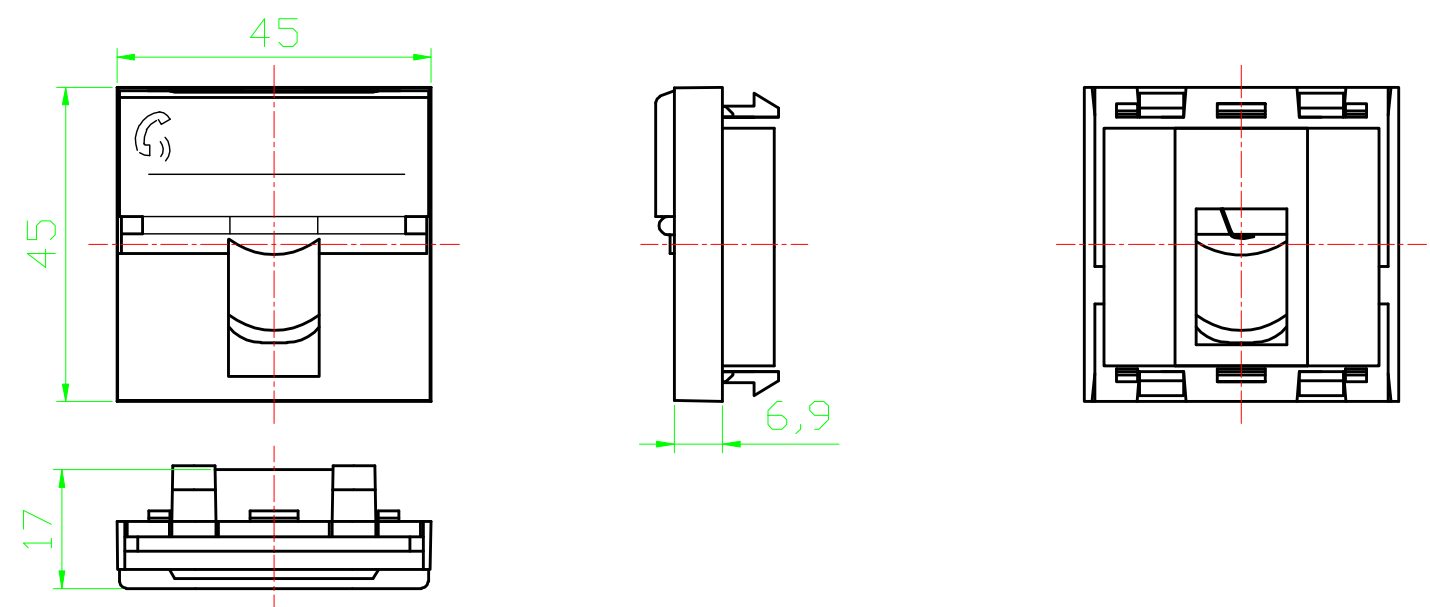
- 1.VOLTAGE RATING:125 VAC RMS
- 2.CURRENT RATING:1.5AMP
- 3.CONTACT RESISTANCE:100MILLIOHMS MAX
- 4.INSULATION RESISTANCE:1000 MEGOHMS MIN @500 VDC
- 5.DIELECTRIC STRENGTH:750 VAC RMS 60Hz,1MIN

ENVIRONMENTAL:

- 1.STORAGE:-40° TO +85°
- 2.OPERATION:0° TO 70°

MECHANICAL:

- 1.HOUSING:MATERIAL :PC AND ABS
- 2.INSERT MATERIAL:FAME RETARDANCY ABS
- 3.PCB MATERIAL:FR-4 T=1.6mm
- 4.CONTACT MATERIAL: PHOSPHOR BRONZE STAMP PIN T=0.3mm
- 5.IDC CONTACT MATERIAL: PHOSPHOR BRONZE T=0.5mm WITH TIN PLATING
- 6.RJ45 JACK: IFE:750 TIMES MIN
- 7.IDC LIFE: 200 TIMES MIIN



Ltemref	Quantity	Title/Name,designation,material,dimension etc			Article No./Reference	
Designed by ACHY	Checked by NIKE	Approved by - date Nov 22.2014	File name	Date Nov 22.2014	Scale FREE	
ANGLE:	NINGBO Kables Electronics Co.,Ltd		Plastron 45x45 RJ45 1 Port			
UNIT:MM			1011135	Edition 1	Sheet 1/1	